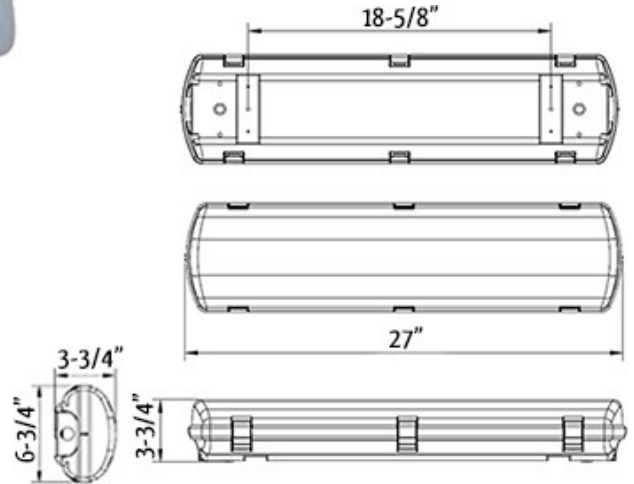




## DIMENSIONS:

27" (L) x 6-3/4" (W) x 3-3/4" (H)



## LLVT-2FT-25W-50K-D LLVT-2FT-25W-40K-D

### LED LINEAR VAPOR LIGHT

Ideal for workshops, garages, canopies, parking garages, cold storage facilities, food processing facilities, farmyards, and other harsh, humid, dusty and wet environment lighting applications.

#### ELECTRICAL SPECIFICATIONS:

- Voltage: 120-277VAC 50/60Hz
- Wattage: 25W
- Power factor: >0.95
- Efficacy: 125LM/W

#### HOUSING SPECIFICATIONS:

- Polycarbonate construction is highly impact resistant
- UV-stabilized Polycarbonate diffuser eliminates glare
- Diffuser crystals enhance even light distribution
- (6) Stainless Steel clips evenly seal the luminaire
- Operating temperature: -22°F~104°F
- Lifespan: 50000 Hrs.
- IP rating: Wet Locations

#### CERTIFICATIONS: UL



MODEL	WATTS	VOLTAGE	LUMENS	COLOR TEMP
LLVT-2FT-25W-50K-D	25W	120~277V AC	3125LM	5000K
LLVT-2FT-25W-40K-D	25W	120~277V AC	3125LM	4000K

#### LIGHTING SPECIFICATIONS:

- Dimming: 0~10V dimmable
- LED type/brand: Cree COB
- Total lumens: 3125LM
- Color temperature: 4000K / 5000K
- Color rendering index: >82
- Beam angle: H103.9° & V113.8°

#### WARRANTY: 5 years

